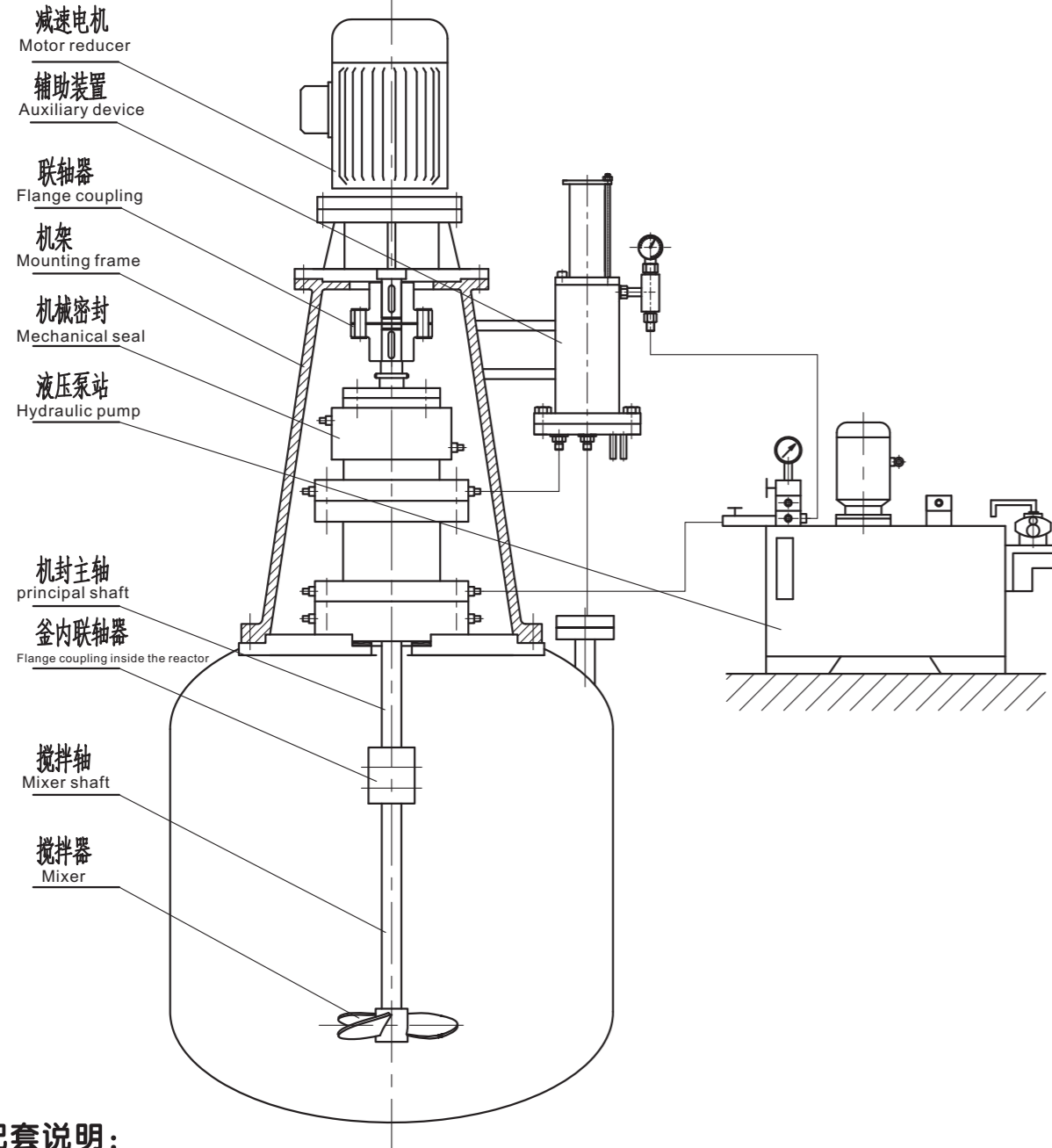


## 高压搅拌传动密封装置

High pressure mixing, driving and sealing equipment



### 配套说明:

搅拌传动密封装置整套设计、制造可以实现含搅拌器、搅拌轴、凸缘法兰、上轴、机架、机械密封、电机、减速机在内的所有配件套体组合、测试、运输。避免出现各配套厂家互相推诿、扯皮现象，提高整体质量，减少配套之间的配合带来的精度问题。

### Explanation:

The design and manufacturing of mixing, driving and sealing equipment can realize the combination of mixer, mixer shaft, flange coupling, upper shaft, mounting frame, mechanical seal, motor reducer etc. Our company can integrate design, manufacturing, test and shipment.

