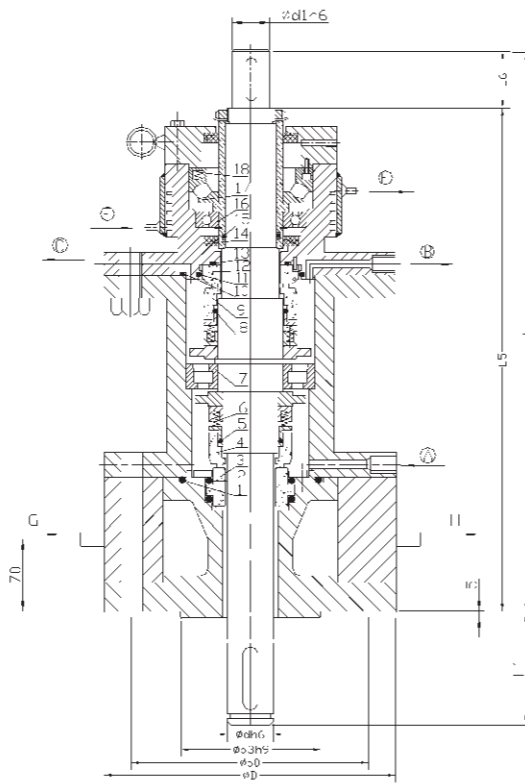
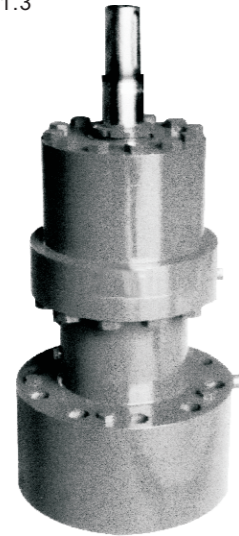


M208B1型机械密封

M208B1 Mechanical Seal

符合HG2098-2001标准
Conform to HG2098-2001 standard
本厂专利 专利号: ZL94242541.3
Patent No: ZL94242541.3

GB/T24319《釜用高压机械密封技术条件》标准制定单位
GB/T24319 Standard constitutor of Reactor mechanical seal technical conditions



d	d1	d3	d0	D	L1	L5	L6	L	n-φ
40	25	149	200	250	200	550	40	590	8-26
50	35	175	240	295	250	550	55	605	8-30
60	45	175	240	295	300	600	80	680	8-30
80	60	203	280	345	350	650	100	750	8-33
90	70	259	345	415	400	650	100	750	12-36
100	80	259	345	415	500	700	125	825	12-36
110	90	259	345	415	500	700	125	825	12-36
120	100	259	345	415	500	750	160	910	12-36
130	110	259	345	415	500	750	160	910	12-36
140	120	312	400	470	500	800	160	960	12-36
160	130	312	400	470	600	800	190	990	12-36
180	150	363	460	530	600	850	190	1040	12-36
200	170	421	525	600	600	850	230	1080	16-36
220	190	473	585	670	600	950	230	1180	16-36

- | | |
|--|--|
| A.密封液进口
Sealing liquid inlet | E.冷却水进口 G1/2
Chilling water inlet G1/2 |
| B.密封液出口
Sealing liquid outlet | F.冷却水出口 G1/2
Chilling water outlet G1/2 |
| C.备用口
Prepare usage of connect | G.冷却水进口 G1/2
Chilling water inlet G1/2 |
| D.大气端泄漏口 φ8
Discharge port for medium side φ8 | H.冷却水出口 G1/2
Chilling water outlet G1/2 |

使用参数 OPERATION PARAMETERS

压力: M208B1PN-0.1~6.4MPa
Pressure: M208B1PN-0.1~6.4MPa
温度: -40~180℃ (350℃)
Temperature: -40~180℃ (350℃)
介质: 丙烯、甲苯、金属钾、酸、碱高分子悬浮液。
Medium: Propylene, toluene, metallic potassium, base, polymeric suspension.
转速: ≤ 5m/s
Rotating speed: ≤ 5m/s

注: 设备使用时必须配套压力平衡装置
Note: A pressure-equalizing unit is to be used for normal operation.

易损件明细 Wearing Parts List

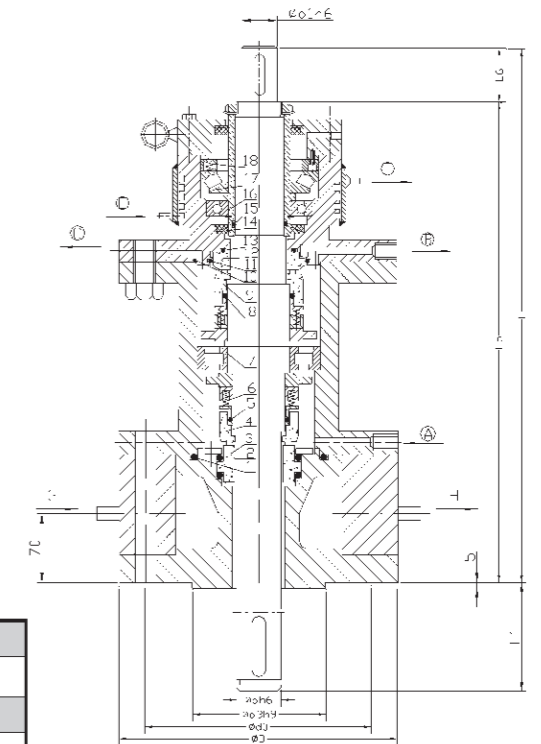
- | | |
|--|--|
| 1.密封箱体“O”形圈
O ring for sealing box | 10.轴承箱体“O”形圈
O ring for bearing box |
| 2.介质端静环“O”形圈
Static O ring for medium side | 11.大气端静环1“O”形圈
Static O ring 1 for atmospheric side |
| 3.介质端静环
Static ring for medium side | 12.大气端静环
Static ring for atmospheric side |
| 4.介质端动环
Rotating ring for medium side | 13.大气端静环2“O”形圈
Static O ring 2 for atmospheric side |
| 5.介质端动环“O”形圈
Rotating O ring for medium side | 14.骨架油封
Sketetal oil seal |
| 6.弹簧
Spring | 15.轴套“O”形圈
O ring for shaft sleeve |
| 7.轴承1
Bearign 1 | 16.轴承2
Bearing2 |
| 8.大气端动环“O”形圈
Rotating O ring for atmospheric side | 17.轴承3
Bearing3 |
| 9.大气端动环
Rotating ring for atmospheric side | 18.推力弹簧
Thrust spring |

M209B1, M210B1型机械密封

M209B1, M210B1 Mechanical Seal

本厂专利 专利号: ZL002408821.1
Patent No: ZL002408821.1

GB/T24319《釜用高压机械密封技术条件》标准制定单位
GB/T24319 Standard constitutor of Reactor mechanical seal technical conditions



d	d1	d3	d0	D	I1	I2	I3	I4	I5	I6	L	n-φ
40	25	149	210	265	200	50	40	70	565	40	605	8-30
50	35	175	250	315	250	50	45	80	565	55	620	8-33
60	45	175	280	345	300	50	50	85	620	80	700	12-33
70	55	203	290	355	300	50	50	85	620	80	700	12-33
80	60	259	360	430	350	50	60	105	665	100	765	12-36
95	75	259	360	430	400	50	60	105	665	100	765	12-36
110	90	312	430	505	500	50	77	112	745	125	870	12-39
125	105	312	430	505	500	50	77	112	785	160	945	12-39
140	120	363	500	585	500	60	80	140	850	160	1010	16-42

- | | |
|---|--|
| A.密封液进口
Sealing liquid inlet | B.密封液出口
Sealing liquid outlet |
| C.备用口
Prepare usage of connect | D.介质端泄漏口 φ8
Discharge port for medium side φ8 |
| E.冷却水进口 G1/2
Chilling water inlet G1/2 | F.冷却水出口 G1/2
Chilling water outlet G1/2 |
| G.冷却水进 G1/2
Cilling water inlet G1/2 | H.冷却水出 G1/2
Cilling water outlet G1/2 |

使用参数 OPERATION PARAMETERS

压力: M209B1PN-0.1~10MPa
M210B1PN-0.1~16MPa
Pressure: M209B1PN-0.1~10MPa
M210B1PN-0.1~16MPa
温度: -40~180℃ (350℃)
Temperature: -40~180℃ (350℃)
介质: 丙烯、甲苯、金属钾、酸、碱高分子悬浮液。
Medium: Propylene, toluene, metallic potassium, base, polymeric suspension.
转速: ≤ 5m/s
Rotating speed: ≤ 5m/s

注: 设备使用时必须配套压力平衡装置
Note: A pressure-equalizing unit is to be used for normal operation.

易损件明细 Wearing Parts List

- | | |
|---|--|
| 1.内漏装置“O”形圈
O ring for leak receiver | 12.轴承箱体“O”形圈
O ring for bearing box |
| 2.釜口法兰“O”形圈
Static O ring for cauldron neck flange | 13.大气端静环1“O”形圈
Static O ring 1 for atmospheric side |
| 3.密封箱体“O”形圈
O ring for sealing box | 14.大气端静环
Static ring for atmospheric side |
| 4.介质端静环“O”形圈
Static O ring for medium side | 15.大气端静环2“O”形圈
Static O ring 2 for atmospheric side |
| 5.介质端静环
Static ring for medium side | 16.骨架油封
Sketetal oil seal |
| 6.介质端动环
Rotating ring for medium side | 17.轴套“O”形圈
O ring for shaft sleeve |
| 7.介质端动环“O”形圈
Rotating O ring for medium side | 18.轴承2
Bearing2 |
| 8.弹簧
Spring | 19.轴承3
Bearing3 |
| 9.轴承1
Bearing 1 | 20.推力弹簧
Thrust spring |
| 10.大气端动环“O”形圈
Rotating O ring for atmospheric side | |
| 11.大气端动环
Rotating for atmospheric side | |